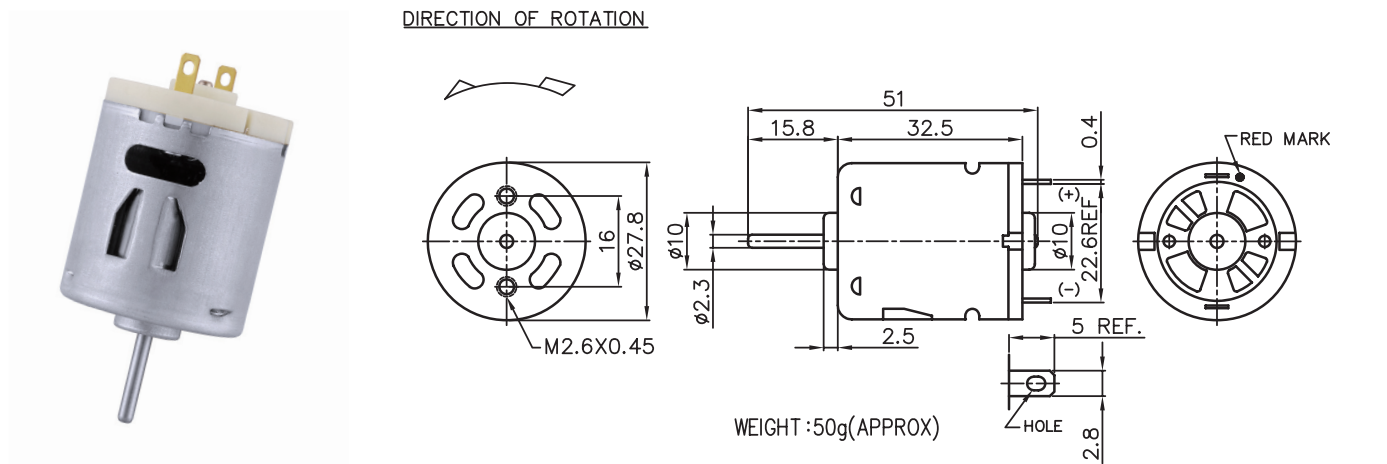


Application : Hair Dryer 、 Pump 、 Robot Vacuum

用途：吹風機、泵浦、智能吸塵機器人



| MODEL | VOLTAGE | | NO LOAD | | AT MAXIMUM EFFICIENCY | | | | | STALL | | | |
|-----------------|-----------------|----------------|--------------|--------------|-----------------------|--------------|----------------|----------------|----------|-------|--------------|----------------|----------------|
| | OPERATING RANGE | NOMNAL | SPEED rpm | CURRENT A | SPEED rpm | CURRENT A | TORQUE g-cm | OUTPUT mN-m | EFF W | % | CURRENT A | TORQUE g-cm | TORQUE mN-m |
| MS5N-2445-R | 6.0-12.0 | 12.0V CONSTANT | 24500 | 0.50 | 18900 | 2.22 | 91 | 8.92 | 17.74 | 67 | 8.96 | 453 | 44.41 |
| MS5N-1685-R | 6.0-15.0 | 15.0V CONSTANT | 16500 | 0.35 | 12151 | 0.99 | 66 | 6.47 | 8.20 | 57 | 3.26 | 277 | 27.16 |
| MD5BN-14165-RC | 12.0-24.0 | 12.0V CONSTANT | 5200 | 0.11 | 3861 | 0.29 | 50 | 4.90 | 1.98 | 58 | 1.04 | 219 | 21.47 |
| MD55BN-16130-RC | 12.0-24.0 | 12.0V CONSTANT | 6500 | 0.14 | 5118 | 0.47 | 54 | 5.29 | 2.84 | 52 | 1.69 | 257 | 25.20 |

馬達的出軸長度及性能參數，EMC 對策可依客人要求做調整，詳情可詢問相關業務人員。
Please inquire your sales representative for output, performance and EMC solution.

