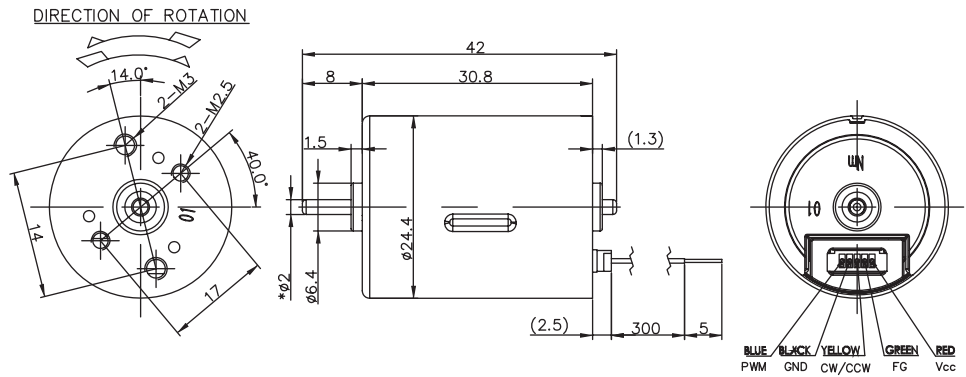


BL2430

Brushless DC Motor

Application : Portable Power Tool 、 5G Antenna 、 Smart Home 、 Robot Vacuum

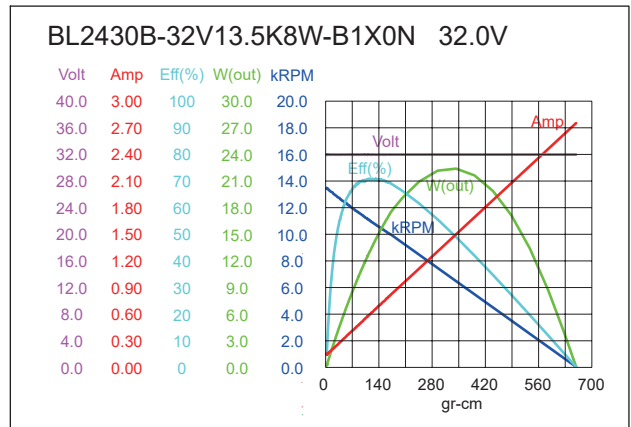
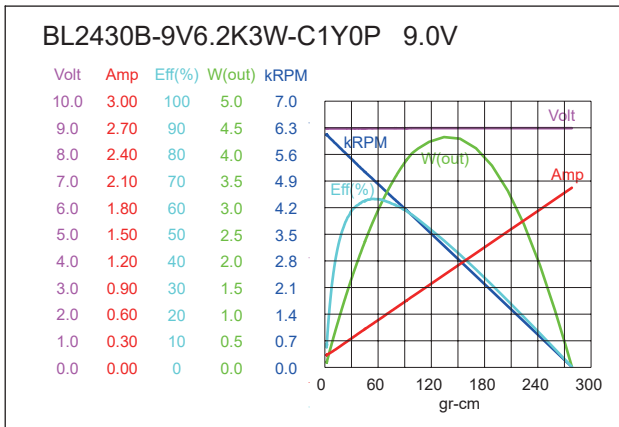
用途：電動工具、5G 天線、智慧家居、掃地機



WEIGHT : 60g(APPROX)

MODEL	VOLTAGE		NO LOAD		AT MAXIMUM EFFICIENCY					STALL			
	OPERATING RANGE	NOMINAL	SPEED	CURRENT	SPEED	CURRENT	TORQUE		OUTPUT	EFF	CURRENT	TORQUE	
			rpm	A	rpm	A	g-cm	N-m	W	%	A	g-cm	mN-m
BL2430B-9V6.2K3W-C1Y0P	9.0-16.0	9.0V CONSTANT	6150	0.12	4990	0.48	52.6	5.20	2.70	64	2.0	280	27.5
BL2430B-32V13.5K8W-B1X0N	9.0-34.0	32.0V CONSTANT	13500	0.10	10930	0.60	123.0	12.10	13.80	72	2.8	660	67.4

馬達的出軸長度及性能參數，EMC 對策可依客人要求做調整，詳情可詢問相關業務人員。
Please inquire your sales representative for output, performance and EMC solution.



MODEL	VOLTAGE		NO LOAD		AT MAXIMUM EFFICIENCY					STALL			
	OPERATING RANGE	NOMINAL	SPEED	CURRENT	SPEED	CURRENT	TORQUE		OUTPUT	EFF	CURRENT	TORQUE	
			rpm	A	rpm	A	g-cm	mN-m	W	%	A		
BL2832B-12V3.5K1.4W-BOX0N	6.0-30.0	12.0V CONSTANT	3500	0.67	2719	0.28	53.11	5.21	1.48	55	0.86	233.20	22.86
BL2832B-12V17.7K6.5W-C1Y1P	6.0-30.0	12.0V CONSTANT	17700	0.17	14144	0.85	46.87	4.60	6.81	73	4.23	281.64	27.61