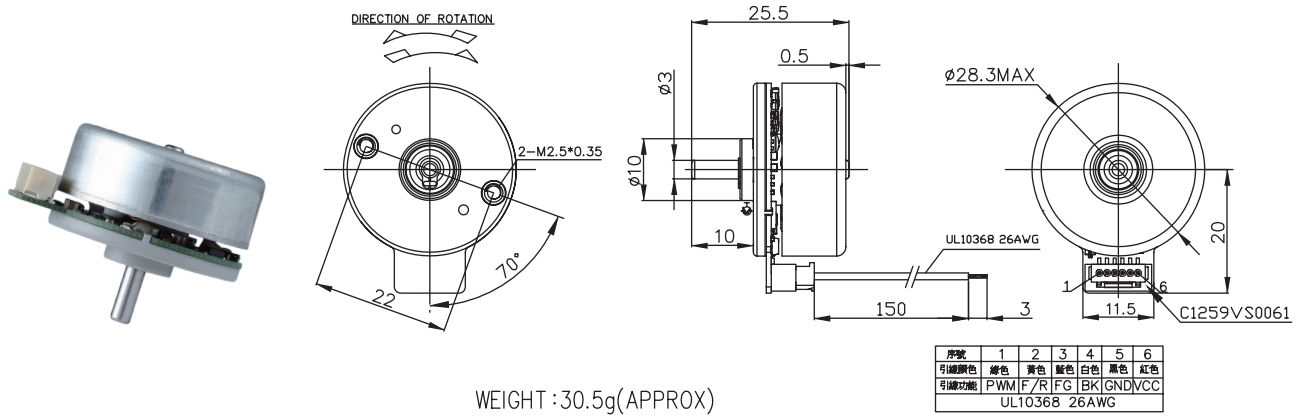


# BL28E12B

External Rotor BLDC Motor

Application : Robot Vacuum、Dental Flosser

用途：掃地機、沖洗牙機



MODEL	VOLTAGE		NO LOAD		AT MAXIMUM EFFICIENCY					STALL			
	OPERATING RANGE	NOMINAL	SPEED	CURRENT	SPEED	CURRENT	TORQUE		OUTPUT	EFF	CURRENT	TORQUE	
			rpm	A	rpm	A	g-cm	mN-m	W	%	A	g-cm	mN-m
BL28E12B-12V5K2W-C1Y0P	12.0-16.8	12.0V CONSTANT	5000	0.07	4068	0.35	64.51	6.30	2.70	68.7	1.46	338	33.10
BL28E12B-16.8V7.2K4W-C1Y0P	12.0-16.8	16.8V CONSTANT	7200	0.09	5695	0.43	81.77	8.00	4.80	70.9	1.77	411	40.30

馬達的出軸長度及性能參數，EMC 對策可依客人要求做調整，詳情可詢問相關業務人員。  
Please inquire your sales representative for output, performance and EMC solution.

