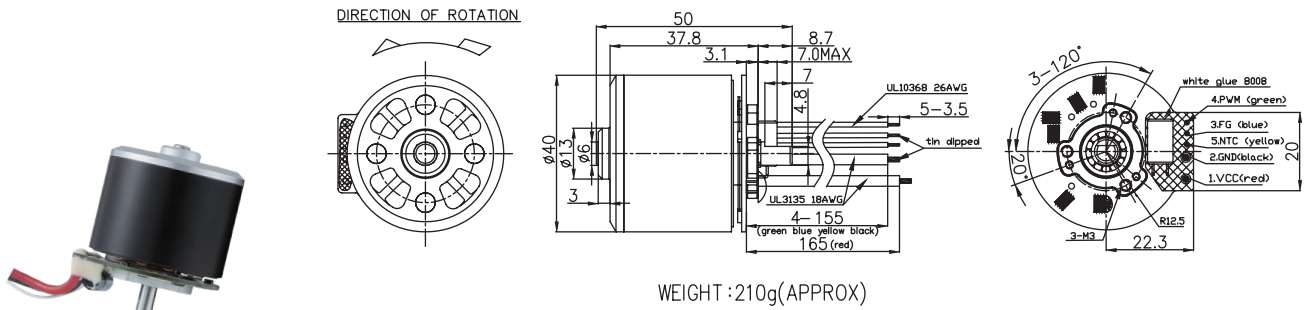


BL40E38

External Rotor BLDC Motor

Application : Fascia Gun 、 Electric Roller Skates

用途：筋膜槍、電動滑輪



MODEL	VOLTAGE		NO LOAD		AT MAXIMUM EFFICIENCY					STALL			
	OPERATING RANGE	NOMINAL	SPEED	CURRENT	SPEED	CURRENT	TORQUE	OUTPUT	EFF	CURRENT	TORQUE		
			rpm	A	rpm	A	g-cm	mN-m	W	%	A	g-cm	mN-m
BL40E38B-10V3.3K20W-B1X0N	10.0-24.0	10.0V CONSTANT	3300	0.37	3045	2.37	633	62.06	19.79	84	20.65	6177	605.59
BL40E38B-18V7.1K70W-B1X0N	10.0-24.0	18.0V CONSTANT	7100	0.54	6369	4.51	1040	101.96	68.02	85	34.69	8790	861.76

馬達的出軸長度及性能參數，EMC 對策可依客人要求做調整，詳情可詢問相關業務人員。
Please inquire your sales representative for output, performance and EMC solution.

