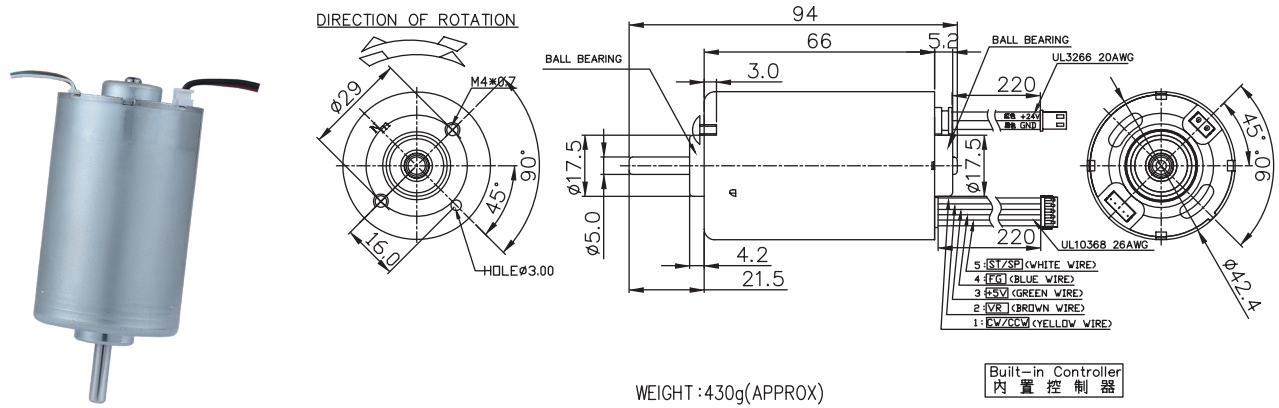


BL4266

Brushless DC Motor

Application : Water Pump 、Lawn Mower 、Auto Pulley 、Underwater Cleaning Robot

用途：水泵、智能割草機、輸送帶、水下清潔機器人



MODEL	VOLTAGE		NO LOAD		AT MAXIMUM EFFICIENCY						STALL		
	OPERATING RANGE	NOMINAL	SPEED	CURRENT	SPEED	CURRENT	TORQUE	OUTPUT	EFF	CURRENT	TORQUE	TORQUE	
			rpm	A	rpm	A	g-cm	mN-m	W	%	A	g-cm	mN-m
BL4266B-18V4.2K30W-B0X0N	10.0-26.0	18.0V CONSTANT	4300	0.31	3648	3.03	1128	110.59	42.26	86	18.08	7727	757.55
BL4266B-24V5.3K35W-C1Y1V	10.0-26.0	24.0V CONSTANT	5200	0.39	4570	2.11	747	73.24	35.06	76	13.42	6115	559.51

馬達的出軸長度及性能參數，EMC 對策可依客人要求做調整，詳情可詢問相關業務人員。
Please inquire your sales representative for output, performance and EMC solution.

