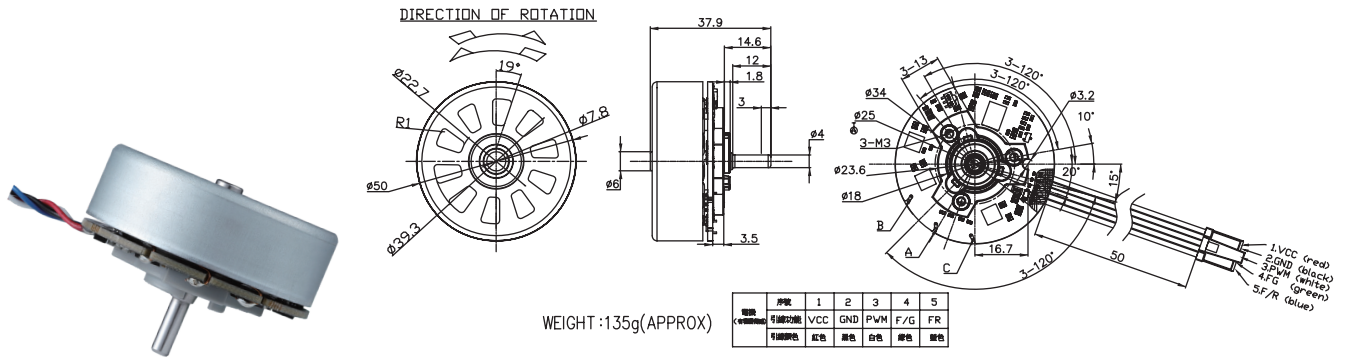


BL50E20

External Rotor BLDC Motor

Application : Robot Vacuum、Electric Stroller

用途：智能吸塵機器人、電動嬰兒車



MODEL	VOLTAGE		NO LOAD		AT MAXIMUM EFFICIENCY					STALL			
	OPERATING RANGE	NOMINAL	SPEED rpm	CURRENT A	SPEED rpm	CURRENT A	TORQUE g-cm	TORQUE mN-m	OUTPUT W	EFF %	CURRENT A	TORQUE g-cm	TORQUE mN-m
BL50E20B-20V2.8K12W-C1Y0V	20.0-28.0	20.0V CONSTANT	2800	0.20	2173	1.12	575	56.35	12.83	70.1	4.05	2640	258.8
BL50E20B-28V4K17W-C1Y0V	20.0-28.0	28.0V CONSTANT	4000	0.14	3187	1.16	604	59.22	19.77	77.5	4.49	3033	297.4

馬達的出軸長度及性能參數，EMC 對策可依客人要求做調整，詳情可詢問相關業務人員。
Please inquire your sales representative for output, performance and EMC solution.

